

Ball valve 202S and 203

- Dezincification resistant brass
- 12CU-54CU compression fittings
- Full flow valve
- Double stem gaskets
- High neck



Description

Ball valve.

Construction

Ball valve in nickel-plated brass with full flow (bore), gaskets in PTFE and NBR.

Model 202S

Connection compression fittings 12CU-54CU. High neck and handle in aluminium.

Model 203

Connection compression fittings 12CU-54CU. Lever in steel.

Marking

DN, PN and company logotype.

Maintenance

The ball valve must be operated periodically, two to three times a year.

Technical data

Body	Dezincification resistant brass, nickel-plated CW625N
Ball seal	PTFE
Stem gaskets	PTFE and NBR

Maximum working pressure: 16 bar

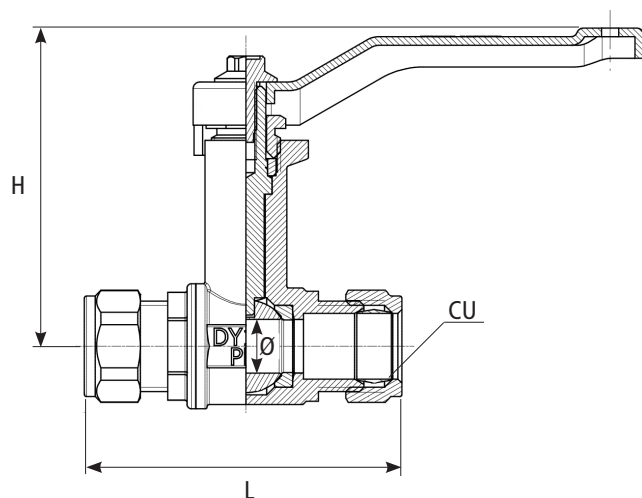
Maximum working temperature: +100°C

Minimum working temperature: -10°C

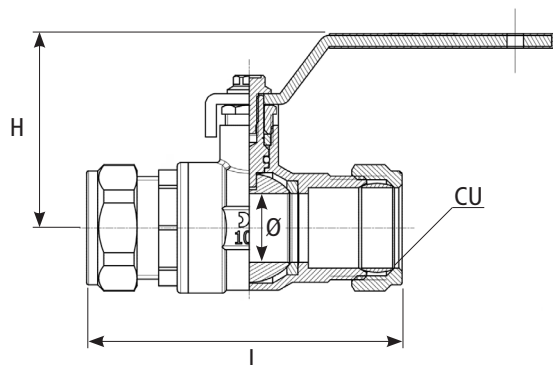
Subject to technical changes and corrections without notice

Ball valve 202S and 203

202S



203



Item number	Description	Connection CU	Length L	Centrum height H	Bore Ø	Weight (kg per piece)
0420211200	Ball valve 202S-12, 12CU, handle	12	72,5	74	11	0,31
0420211500	Ball valve 202S-15, 15CU, handle	15	76,5	74	12,5	0,33
0420212200	Ball valve 202S-22, 22CU, handle	22	89	79	20	0,50
0420213500	Ball valve 202S-35, 35CU, handle	35	117	87,5	32	1,28
0420214200	Ball valve 202S-42, 42CU, handle	42	143	94	39	1,96
0420215400	Ball valve 202S-54, 54CU, handle	54	158	110	48	2,77

Item number	Description	Connection CU	Length L	Centrum height H	Bore Ø	Weight (kg per piece)
0420301200	Ball valve 203-12, 12CU, handle	12	74	53	11	0,24
0420301500	Ball valve 203-15, 15CU, handle	15	70	53	12	0,24
0420302200	Ball valve 203-22, 22CU, handle	22	84	55	19	0,35
0420302800	Ball valve 203-28, 28CU, handle	28	91	58	24,5	0,52

All dimensions in millimetres

Subject to technical changes and corrections without notice